



P.Audio System Co.,Ltd.
19/4,6,7 Moo 2 T.Bangkratuek,
A.Samparn, Nakornpathom, 73210

Prepared	Approved	Date Approved
Kanayut.s		09/02/2019

PRODUCT SPECIFICATION SHEET

Woofer / Co-Axial

Code:	F01011518401SNT	Model Name:	P150/2226 V3 BLACK 8 OHM
Sample Number:	WF 0XXX	Customer Name:	SNT Revision A

General Specifications

Type	<input type="checkbox"/>	Co-Axial	<input checked="" type="checkbox"/>	Woofer
Nominal Diameter	15	inch	381.0	mm
Rated Impedance	8	Ω		
Power Handling Capacity	800	W(AES)		
Operating Bandwidth (± 10 dB)	40-2k	Hz		
Sensitivity @ 1W 1M	96	dB		
Effective Piston Diameter	340.2	mm	13.4	inch
Voice Coil Diameter	99.3	mm	3.9	inch

Physical Diameter

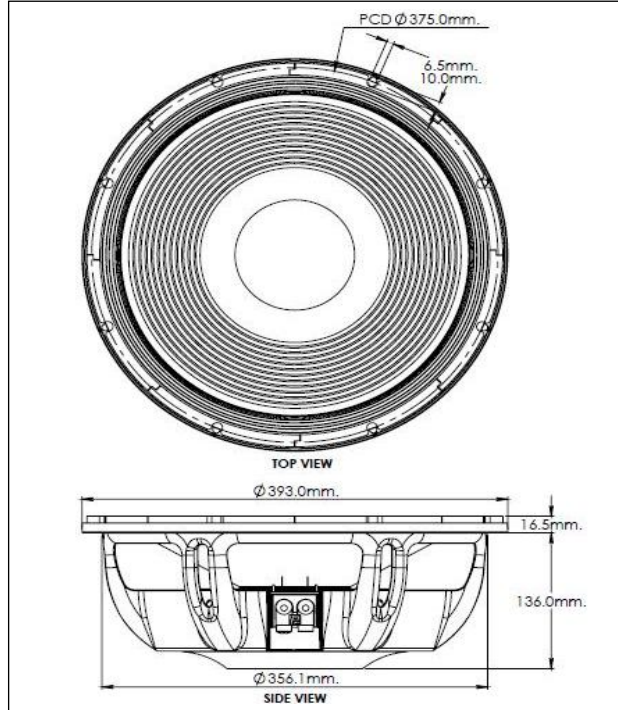
Overall Diameter	393.0	mm	15.5	inch
Baffle Cutout Diameter	356.1	mm	14.0	inch
Mouting Hole Diameter	375.0	mm	14.8	inch
Bolt Circle Diameter	8 x ϕ 6.5 mm			
Depth	136.0	mm	5.4	inch

Physical Information

Magnet	Type	Ferrite		
	Size (mm)	220	110	20
	Weight	100.6 oz.		
Basket	Material	Aluminium		
	Color	Black		
Voice Coil	Wire	AL-R		
	Former	GSV		
Cone		Paper		
Surround		Cloth		
Dust Cap		Paper		
Spider		Double Silicone		
Gasket		EVA		
Unit Weight	(kg)	14.2		
Packing Quantity		1		
size	(mm)	430	430	200
	(inch)	16.9	16.9	7.9
	cu.ft	1.31	Gross Weight	15.8 kg

Thiele - Small Parameters

Resonance Frequency	F_s	54	Hz
DC Resistance	R_e	5.0	Ω
Mechanical Q Factor	Q_{ms}	9.14	
Electrical Q Factor	Q_{es}	0.53	
Total Q Factor	Q_{ts}	0.50	
BL Factor	BL	20.89	T x m
Moving mass including surround	M_{ms}	136.91	g
Moving mass excluding surround	M_{md}	121.18	g
Equivalent Cas air load	V_{as}	72.45	liters
Effective piston area	S_d	907.9	cm ²
Voice - coil inductance @ 1KHz	L_e	0.64	mH
Half-space efficiency	Eff	2.12	%
Mechanical compliance	C_{ms}	6.2 e-05	m/N
Loss resistance of suspension	R_{ms}	5.14	Ns/m
Voice Coil Over-Hung	X_{max}	5.5	mm
Airgap Height	H_{ag}	8.0	mm
Voice coil Height	H_{vc}	19.0	mm



High Frequency

Diaphragm	-
Voice coil size	-
Voice coil material	-

Power Test HI Pot Other

Apply Voltage	-	V	-	hour
High pass / Low pass	-	Hz	-	Hz

Frequency Response

